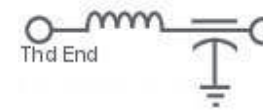
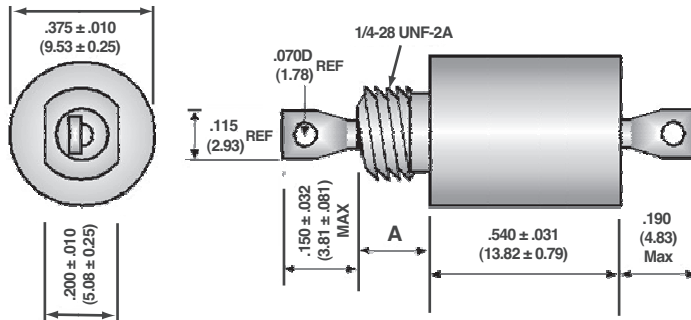


L-Section Filters

4000 / 4100 / 4200



Schematic *

* For a reverse configuration with the inductive element opposite the thread end, add an "R" suffix to the part number; i.e., 4200-010R



Part No		Min Cap μ f	Working Voltage	Minimum Insertion Loss (dB)					Max DCR (ohms)	Rated DC Current	
A = .187	A = .312			30 kHz	150 kHz	300 kHz	1 MHz	10 MHz			1 GHz
Series 4000-XXX											
4000-010	4000-020	—	50 VDC	34	62	70	70	70	70	10	.10
4000-011	4000-021	—		25	53	65	70	70	70	4	.25
4000-012	4000-022	—		16	41	54	70	70	70	1	.50
4000-013	4000-023	—		15	31	42	63	70	70	.25	1.0
4000-014	4000-024	—		15	28	35	51	70	70	.063	2.0
4000-015	4000-025	—		15	28	34	45	70	70	.027	3.0
4000-016	4000-026	—		15	28	34	44	52	70	.003	10.0

Drawings may not be to scale; refer to dimensions.